

TM

# CITADEL

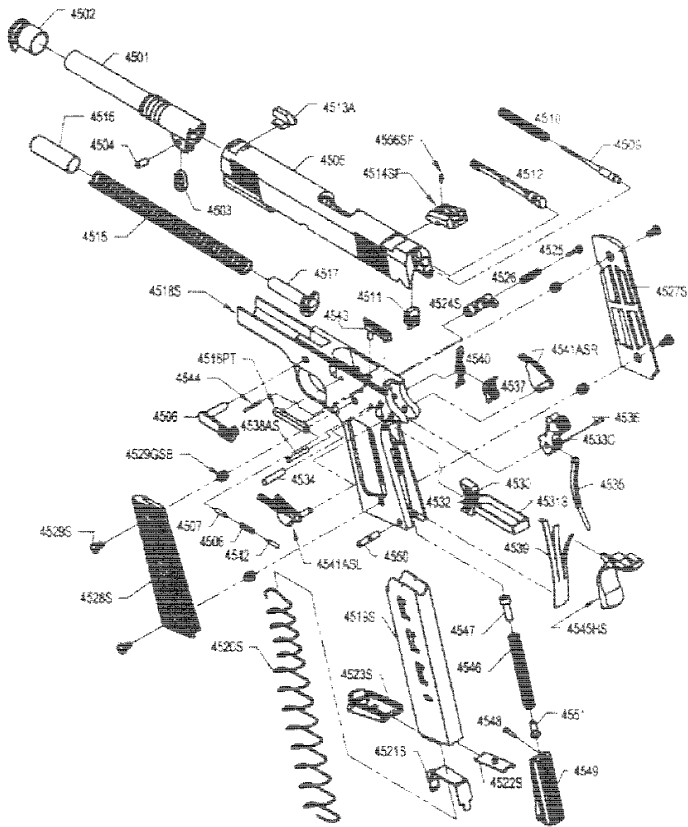
**1911A1-45FS / 1911A1-45CS  
PISTOL**

## **USER'S MANUAL**

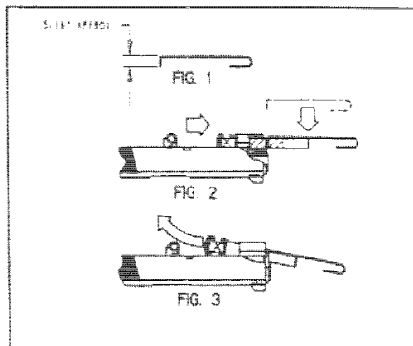
*WARNING: READ THE INSTRUCTIONS and SAFETY PRECAUTIONS IN THIS  
MANUAL CAREFULLY BEFORE USING THIS FIREARM.*

# TABLE OF CONTENTS

<i>Introduction</i> .....	2
<i>General Information</i> .....	2
<i>Basic Model Description</i> .....	2
<i>Specifications</i> .....	3
<i>Safety Features</i> .....	3
<i>Special Features</i> .....	4
<i>Ammunition to Use</i> .....	4
<i>Operating Instructions</i>	
<i>Loading</i> .....	5
<i>Firing</i> .....	5
<i>Unloading</i> .....	5
<i>Basic Disassembly and Reassembly</i>	
• <i>Disassembly</i> .....	5-6
• <i>Reassembly</i> .....	6
<i>Care and Maintenance</i> .....	6
<i>Parts List</i> .....	7-8
<i>The Basic Rules of Safe Firearms Handling</i> .....	8-9
<i>Citadel Compact Size Pistol</i> .....	9
<i>Exploded Drawing</i> .....	10
<i>Statement of Liability / Warranty Information</i>	



**CITADEL1911A1-45FS EXPLODED DWG.**



**BARREL DISASSEMBLY OF CS PISTOL**

## INTRODUCTION

As a responsible firearms owner you must read this **USER'S MANUAL** thoroughly and become familiar with it before you handle your new **CITADEL PISTOL**.

This **USER'S MANUAL** is designed to assist you in learning the proper use and care of your handgun. After reading this manual, examine your handgun carefully and make sure you understand all of the basic features associated with it. This includes knowing its basic parts, how the safety features operate, how to open and close the action and how to safely load and unload ammunition. Remember that improper use and handling of this handgun is dangerous, may void the warranty and could cause severe injury or death to you personally or those around you.

The **CITADEL PISTOL** is as well made as modern technology allows and will give you a lifetime of reliable service, security and pride of ownership. You, the owner, must use it properly and take good care of it, as per the instruction given in this **USER'S MANUAL** and must not hesitate to ask pertinent questions from the manufacturer or from competent gunsmiths.

This **USER'S MANUAL** should always be kept available for reference and should accompany the firearm if transferred to another party.

## GENERAL INFORMATION

The Colt Government Model 1911A1 semi-automatic pistol, designed by John M. Browning, has been one of the world's most popular side arms. It is a tried and proven design which outlasted its contemporaries and is still the top firearm choice for military, police and competition shooters throughout the world. Because of its practical design, safety features and rugged construction, it has been considered by many military experts as the best close range defense weapon ever designed.

## BASIC MODEL DESCRIPTION

The **CITADEL PISTOL** in Cal. 45 ACP, is designed for both combat and competition, combines the best accepted principles of strength, safety, accuracy, mechanical reliability and ease of handling—all to meet the most exacting standards of law enforcement, military, self defense and competition shooting.

All parts are made of high grade ordnance steel and heat treated for strength and durability. The lug contact areas being the locking elements of the frame, slide and barrel, are precisely machined and heat treated, providing accuracy, toughness and rigidity in the locked firing position.

The frame, slide and other action parts are made by precision investment casting and CNC-machined to equally consistent dimensions to ensure mechanical efficiency, long life and complete parts interchangeability.

## SPECIFICATIONS

<b>Model ( Full Size / Compact Size )</b>	1911A1 – 45FS / 1911A1 – 45CS
<b>Caliber</b>	45 ACP
<b>Action</b>	Semi-Auto, Recoil Operated
<b>Magazine Capacity</b>	8 Rounds / 6 Rounds
<b>Effective Range</b>	50 Meters
<b>Overall Width</b>	35 Mm.
<b>Overall Length</b>	219 Mm. / 186 Mm.
<b>Weight, Empty</b>	1.08 Kg. / 0.98 Kg.
<b>Weight, Loaded</b>	1.25 Kg. / 1.10 Kg.
<b>Trigger Pull</b>	1.81 to 2.27 Kg.
<b>Barrel Length</b>	127 Mm. / 89 Mm.
<b>Sights, Front</b>	Mounted on Dovetail Cut
<b>                  Rear</b>	Snag-Free mounted on Dovetail Cut
<b>Rifling Twist</b>	Right Hand, One Turn/400 Mm.
<b>No. of Grooves</b>	6
<b>Finish</b>	Matte Parkerized

**NOTE:** Specifications subject to change without prior notice

## SAFETY FEATURES

**WARNING:** THE USERS SHOULD NEVER DEPEND ON SAFETY MECHANISM OR ANY OTHER MECHANICAL DEVICE TO JUSTIFY CARELESS & IMPROPER HANDLING.

- 1. Safety Lock:** The pistol is fitted with a safety lock which when applied at the cocked position, blocks the sear and hammer to prevent the gun from being fired.
- 2. Grip Safety:** The pistol cannot be fired until the grip safety is pressed in, when the gun is gripped for firing.
- 3. Disconnecter Safety:** The pistol is designed with an automatic disconnecter which enables it to fire only when it is fully locked and the trigger is released after each shot.
- 4. Half-cocked Position:** The hammer is provided with a half- cock notch which allows it to be locked in the half-cocked position in cases of unintentional hammer release or follow through caused by sear bounce.
- 5. Inertia Firing Pin:** The firing pin is designed to operate on the principle of inertia, with its length shorter than the overall length of breechlock. It requires a blow from fully cocked hammer to strike and percuss the cartridge primer.

## SPECIAL FEATURES

- Double wide squared slide serrations cut for optimal grip and cocking ease.
- Lowered side ejection port for a more efficient and reliable ejection of spent shells.
- Skeletonized combat hammer with serrated non-slip thumb surface and matching large oval opening for light weight and reduced lock time.
- High sweep beavertail grip safety which protects the hand from hammer bite and gives a better grip that allows the gun to sit lower in the hand for less felt recoil.
- Extended ejector that flips fired cases clear of the slide to help prevent "smoke stacking" and jams.
- Extended ambidextrous safety designed for the natural sweeping motion of the thumb for fast, reliable and comfortable operation. It is ideal for the "thumb high" hold for both right-handed and left-handed shooters.
- Non-slip serrated and skeletonized trigger.
- Hand checkered wood grip.
- Plastic carrying gun case with poly-foam for ultimate gun protection.
- Two (2) magazines per gun.

Note: Specifications and features subject to change without prior notice.

## AMMUNITION TO USE

The **CITADEL PISTOL** is chambered for cal. 45ACP cartridge in the round nose configuration (Note: Use of wadcutter or other cartridges in the flat nose configuration may require extra adjustment of the barrel feed ramp by a competent gunsmith), manufactured in accordance with industry standards. Non-standard or improperly loaded cartridges affect accuracy and cause mechanical feeding problem. Always check for the following possible defects before loading the ammunition into your pistol.

- a. poorly seated primers
- b. incorrect seating length
- c. lead deformation on the front and shoulder
- d. over expanded case mouth
- e. improper crimping
- f. damaged case rims

### CAUTION:

**ALWAYS USE AMMUNITION THAT COMPLIES WITH PERFORMANCE STANDARDS ESTABLISHED BY THE SPORTING ARMS AND AMMUNITION MANUFACTURER'S INSTITUTE (SAAMI). USING HANDLOADED, RELOADED OR OTHER NON-STANDARD AMMUNITION WILL VOID ALL WARRANTIES.**

## **OPERATING INSTRUCTION**

**WARNING:** ALWAYS KEEP THE PISTOL POINTED IN A SAFE DIRECTION WHEN LOADING AND UNLOADING. INSPECT THE CHAMBER AND BORE OF THE BARREL FOR ANY OBSTRUCTION, EXCESSIVE OIL OR GREASE. FAILURE TO DO SO MAY RESULT IN GUN DAMAGE AND / OR INJURY TO THE SHOOTER OR THOSE NEARBY.

### **LOADING**

To load the magazine, place the first cartridge in the front end of the magazine follower and push it down until it can be slid in under the feed lips of the magazine. Place the second cartridge on the top of the first and force it down in the same way as the first one. Repeat this procedure until the magazine contains the number of cartridges you intend to load. The magazine can take as many as eight (8) rounds.

To load the pistol, insert the loaded magazine into the grip (handle) and push it up until the magazine release engages in its slot locking it in place. Hold the pistol firmly with your firing hand. Grasp the slide at its serrated section with your other hand and pull it to rear as far as it will go. (Note: The hammer can be cocked first to make the slide easier to pull). Then, release the slide smartly. A cartridge is now loaded in the chamber and the pistol is ready to fire. Push the safety lock upwards into the "SAFE" position and leave it there until you're ready to shoot.

### **FIRING**

To fire the pistol, press the safety lock down to the "FIRE" position. Obtain the correct sight alignment and sight picture and squeeze the trigger. To fire successive shots, the trigger must be released and squeezed repeatedly. When the last cartridge from the magazine has been fired, the slide remains to the rear. If you intend not to shoot or cease firing, remember you have a loaded gun in your hand. First keep the gun pointed in a safe direction and keep your finger off the trigger. Then, unload the gun by following the unloading procedure below.

### **UNLOADING**

To unload, press the magazine release and remove the magazine. If the slide is in the forward position, pull it to the rear and retain by pushing the slide stop up. Inspect the chamber to make sure that the pistol is clear and unloaded.

## **BASIC DISASSEMBLY AND REASSEMBLY**

### **DISASSEMBLY**

1. Press the magazine release and withdraw the magazine. Pull the slide backwards and check the chamber to ensure that the pistol is unloaded and safe.
2. Press the recoil spring with your thumb and rotate the barrel bushing clockwise.

3. Gently allow the plug and recoil spring set to move forward. Do not remove the set as this will keep the recoil spring guide in place.
4. Pull the slide backwards until the smallest slot on its left aligns with the top rear of the slide stop. Remove the slide stop by pressing its pivot stud on the right side of the frame.
5. Pull the slide directly forward of its guide rails in the frame. The barrel, barrel bushing, recoil spring, recoil spring guide and recoil spring plug will come out with it.
6. Remove the recoil spring guide and plug from the slide.
7. Rotate the barrel bushing to the left as far as it will go and withdraw it to the front.
8. Tilt the barrel link forward to withdraw the barrel through the front of the slide.

### **REASSEMBLY**

Reassembly of the dismantled pistol is done in the reverse order of disassembly. When the barrel and slide assembly is to be mounted on the frame, hold both the slide and the frame bottom side up. Make sure that the barrel link is tilted to the front as far as it will go and that the barrel link pin is flush in its seat. Then slide the frame forward into the slide rails.

### **CARE AND MAINTENANCE**

With proper care, your **CITADEL PISTOL** will provide you with years of dependable service. It should be inspected, cleaned and oiled periodically to ensure that it remains in good condition and functions safely and reliably. Doing the job requires no total disassembly of the mechanical parts in the frame assembly. Under normal cleaning purposes, field stripping or dismounting of the slide and barrel group is sufficient.

To clean the pistol after firing, first dismount the slide and barrel group. Scrub the barrel bore and chamber with a bore brush dipped in a gun cleaning solvent to remove lead residues and foreign matters left inside. Using an old toothbrush dipped in solvent, clean the areas around the slides breech face to remove powder and primer residues. Other parts and areas to be cleaned are the slide and barrel locking lugs, the frame and slide rails, firing pin, extractor claw and other adjacent areas. After cleaning, wipe all surfaces with a clean dry cloth to remove all traces of the solvent and apply a light film of oil immediately thereafter.

To clean the pistol thoroughly, disassemble all parts to the extent described above, taking care not to run or lose any parts. Clean and inspect all parts then dry and lubricate very lightly. Reassemble the pistol, dry the barrel chamber and bore and check the gun for proper functioning before loading live ammunition.



When storing the gun for a prolonged period of time, it is necessary to oil it heavily with an acid free lubricant. The external parts must be coated with an anti-rust oil or grease to prevent moisture from setting on the metals and slipping into the internal mechanism causing the parts to rust and malfunction. Before usage, the pistol must be cleaned and wiped dry again as discussed above.

**CAUTION:** THE GUN SHOULD BE STORED IN ROOMS WITH DRY ATMOSPHERE AND WITH THE LEAST HUMIDITY. IT SHOULD NOT BE STORED ENCASED IN LEATHER OR ANYTHING THAT WILL ATTRACT AND HOLD MOISTURE CAUSING THE METAL PARTS TO RUST.

### PARTS LIST

\*(Note: With reference to the Exploded drawing on page 10)

Part No.	Part Name
4501	Barrel
4502	Barrel Bushing
4503	Barrel Link
4504	Barrel Link Pin
4505	Slide
4506	Slide Stop
4507	Slide Stop Plunger
4508	Plunger Spring
4509	Firing Pin
4510	Firing Pin Spring
4511	Firing Pin Stop
4512	Extractor
4513A	Front Sight
4514SF	Rear Sight
4515	Recoil Spring
4516	Recoil Spring Plug
4517	Recoil Spring Guide
4518S	Frame
4518PT	Plunger Tube
4519S	Magazine Box
4520S	Magazine Spring
4521 S	Magazine Follower
4522S	Magazine Spring Plate
4523S	Magazine Base Pad
4524S	Magazine Release
4525	Magazine Release Lock
4526	Magazine Release Spring
4527S	Grip Panel Right
4528S	Grip Panel Left

4529S	Grip Screw
4529GSB	Grip Screw Bushing
4530	Trigger Shoe
4531S	Trigger Stirrup
4532	Trigger Stirrup Pin
4533C	Combat Hammer
4534	Hammer Pin
4535	Hammer Strut
4536	Hammer Strut Pin
4537	Sear
4538AS	Ambi. Sear Pin
4539	Sear Spring
4540	Disconnecter
4541ASL	Ambi. Safety Left
4541ASR	Ambi. Safety Right
4542	Safety Lock Plunger
4543	Ejector
4544	Ejector Pin
4545HS	Hi-Sweep Beavertail Grip Safety
4546	Main Spring
4547	Main Spring Cap
4548	Main Spring Cap Pin
4549	Main Spring Housing
4550	Main Spring Housing Pin
4551	Main Spring Housing Pin Retainer
4556SF	Rear Sight Retainer Screw

### BASIC RULES OF SAFE FIREARMS HANDLING

*Safety must be the first and constant consideration of every person who handles firearms and ammunition. A person with a gun in his possession has an important responsibility. He must know how to use his firearm in a way which will ensure his own safety and that of others.*

*Firearms do not cause accidents! Firearms accidents are almost always found to have been the result of carelessness, or ignorance on the basic rules of safe gun handling on the part of the users.*

*The following rules must be strictly observed by gun users at all times:*

- 1. Always keep the gun holstered except when drawn for a definite purpose*
- 2. Always check the gun for live ammunition when picked-up, drawn from the holster, handed to or received from another person.*
- 3. Never point the gun at anything you don't intend to shoot.*

4. *Never load and cock the gun unless you are ready to shoot. Do not even insert your finger in the trigger guard until you are ready to shoot.*
5. *Avoid dry-firing even with dummy cartridges, unless same is performed on a regular target range or at a known inanimate target.*
6. *When holding the gun that is ready to fire, be absolutely certain that it is not pointed at any part of your body nor at any person within your immediate vicinity.*
7. *Beware of obstruction in the barrel. If, when firing, a weak or peculiar report is heard, cease firing, unload the pistol and inspect the barrel for an obstruction. A stuck bullet or any other object on the barrel, should be removed immediately. Not doing so may result in a bulged or burst barrel which may cause injury to the shooter or bystanders.*
8. *When a misfire is experienced, keep the gun pointed at the target for at least ten seconds before inspecting it; a delayed firing may occur.*
9. *Wear shooting glasses and hearing protectors when firing.*
10. *Do not shoot at a hard surface or water for the bullet can glance off and travel in unpredictable directions with considerable velocity.*
11. *Avoid drinking alcoholic beverages and/or taking prohibited drugs when handling the firearm.*
12. *Keep guns and triggers locked, and in locked storage when not in use. Keep ammunition and guns in separate locked storage. Take responsibility for keeping firearms and ammunition out of the hands of unauthorized users.*

### **Citadel Compact Size Pistol**

*The CS pistol utilizes a 3\_ " tapered bull barrel precluding the use of a barrel bushing. Use of a reverse recoil spring plug and a full length recoil spring guide which acts as a stabilizer ensures functional reliability and dampen felt recoil while at the same time making the manual cycling operation of slide easy and smooth. The magazine capacity is 6 rounds but can also accommodate the full size 7 or 8- round magazine.*

*Except for the standard slide stop and safety lock, the CS pistol utilizes the same features as with the parent Model FS including the skeletonized trigger, combat hammer, beavertail grip safety, squared slide serration, lowered and flared ejection port, extended ejector and beveled magazine well.*

*Disassembly of the CS pistol is done by first removing the slide stop and separating the slide-barrel-recoil spring assembly from the frame. The recoil spring guide flange is pushed forward compressing the springs until the small hole on the rod comes out of the recoil spring plug. Then a paper clip with 5/16 inch of its end bent at 90 degree angle (Fig. 1) is inserted into the hole trapping the spring assembly (Fig. 2). At this point the recoil spring assembly can now be pulled out rearward of the spring tunnel (Fig. 3). No further disassembly is recommended for routine cleaning and maintenance purposes.*

## STATEMENT OF LIABILITY

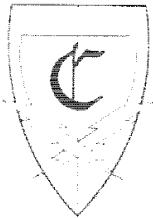
The **CITADEL PISTOL** is classified as a firearm of dangerous weapon. It is expressly understood that the manufacturer of **CITADEL** assumes no liability for its resale or unsafe handling under local laws and regulations; and for physical injury or property damage resulting from either intentional or accidental discharge, or for the function of the gun subjected to influence beyond the manufacturer's control. **CITADEL** will honor no claims which may result from careless handling, unauthorized adjustments, defective or improper ammunition, corrosion or neglect.

## WARRANTY

**CITADEL** will adjust or repair, to its commercial standards, the firearm or any part thereof found to be defective in material or workmanship. Such services shall be made free of charge within one (1) year form date of registered purchase.

### **WARNING!**

DISCHARGING FIREARMS IN POORLY VENTILATED AREAS, CLEANING FIREARMS, OR HANDLING AMMUNITION MAY RESULT IN EXPOSURE TO LEAD AND OTHER SUBSTANCES KNOWN TO CAUSE BIRTH DEFECTS, REPRODUCTIVE HARM AND OTHER SERIOUS PHYSICAL INJURY. HAVE ADEQUATE VENTILATION AT ALL TIMES. WASH HANDS THOROUGHLY AFTER EXPOSURE.



# **CITADEL™**

**LEGACY SPORTS INTERNATIONAL, LLC**

4750 Longley Lane, Suite 208  
Reno, Nevada 89502

Office (775) 828-0555

Fax (775) 828-0565